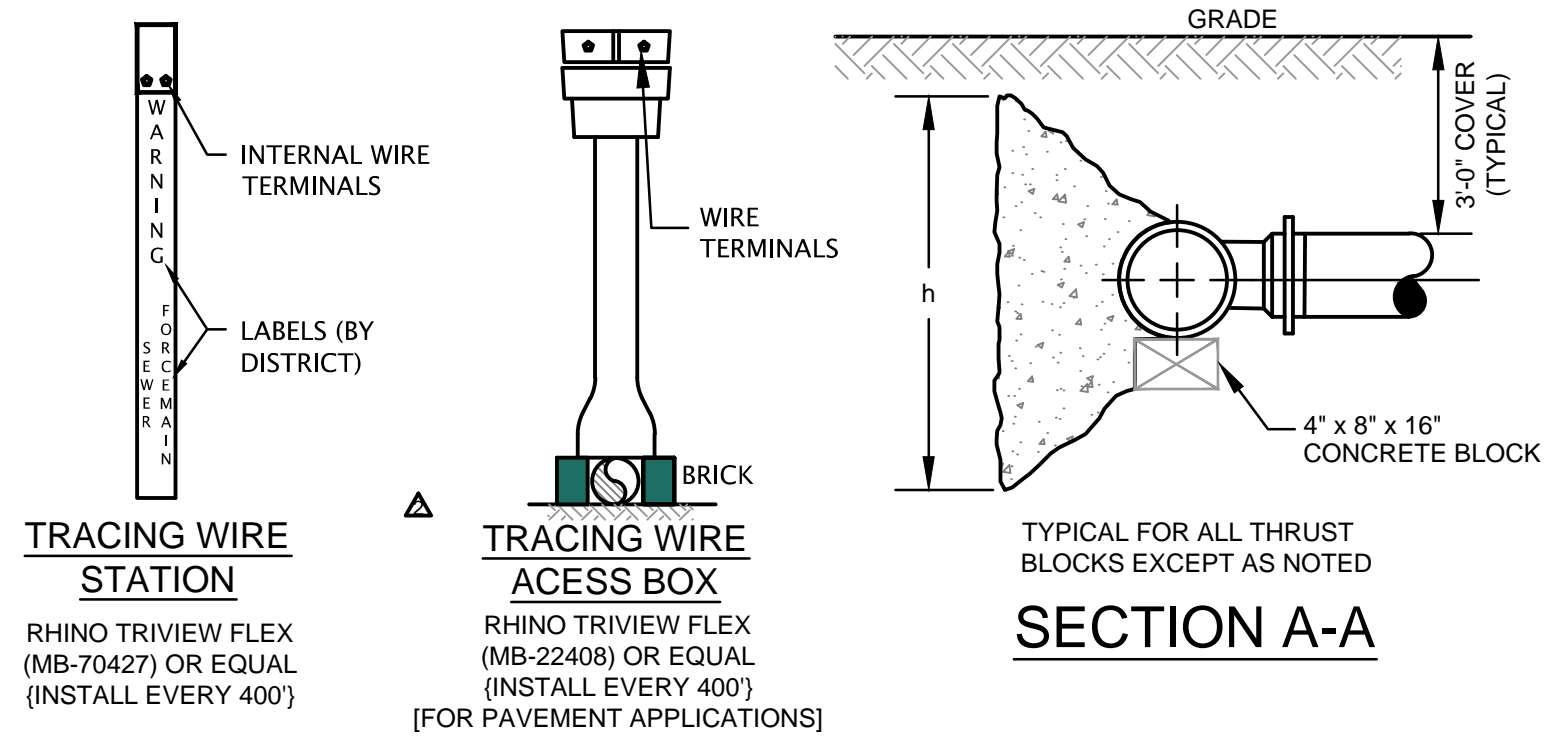
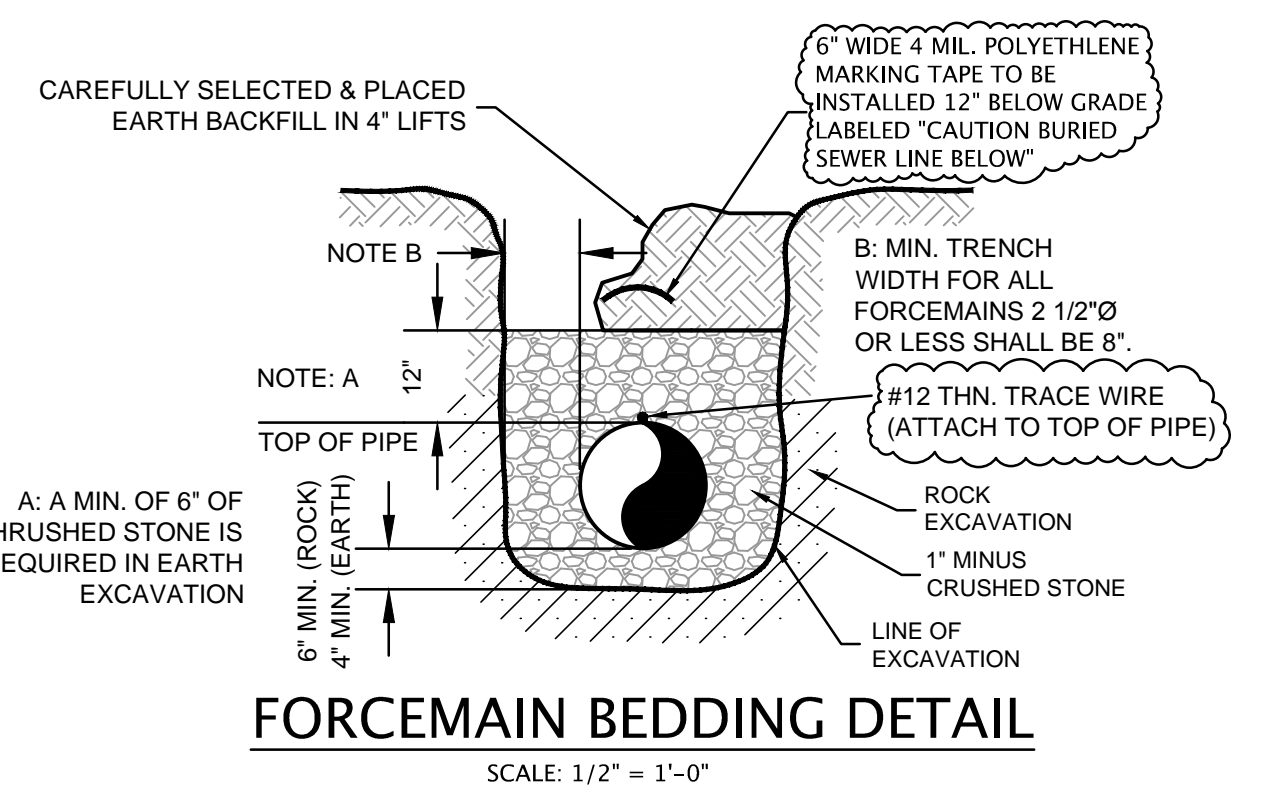
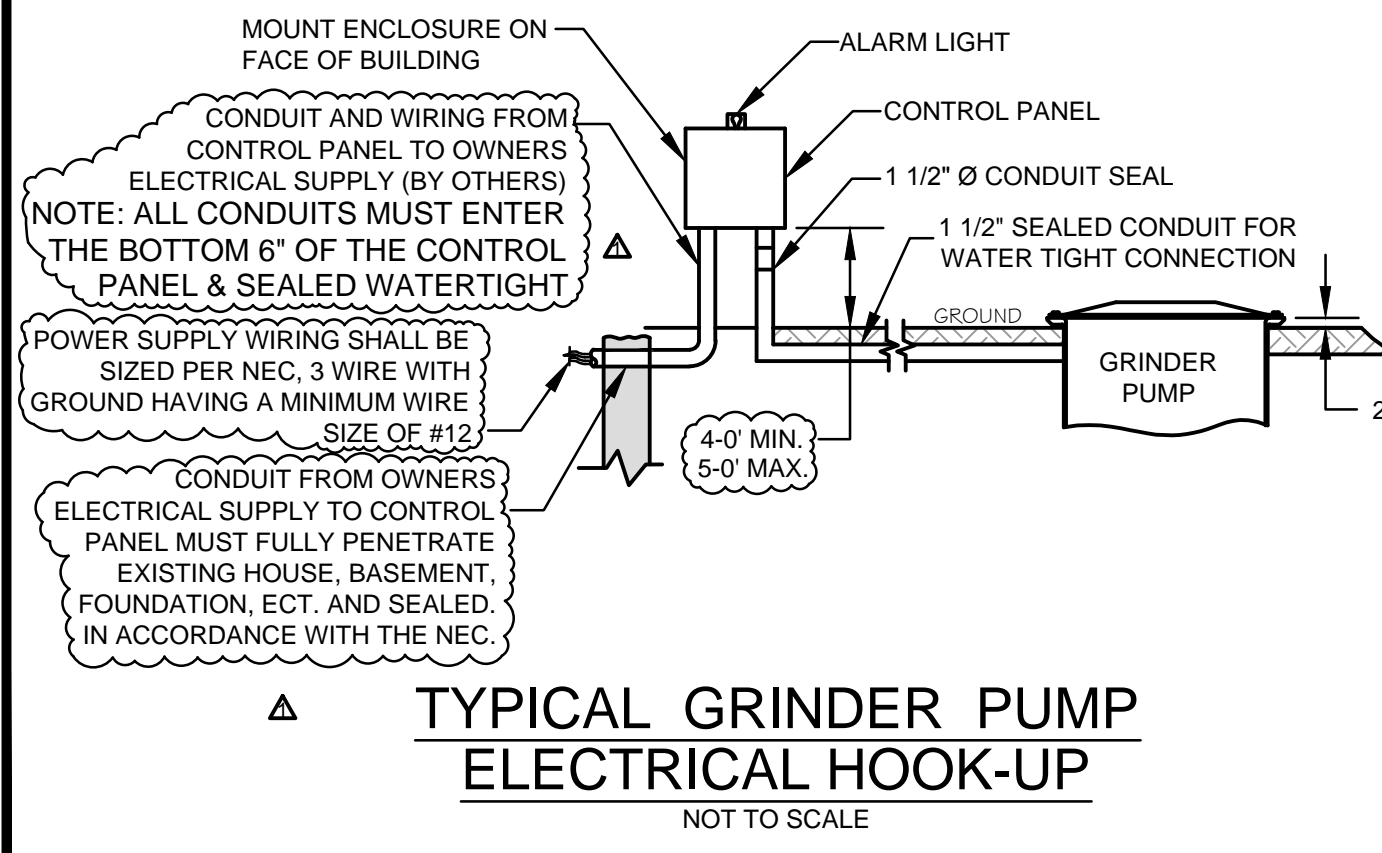
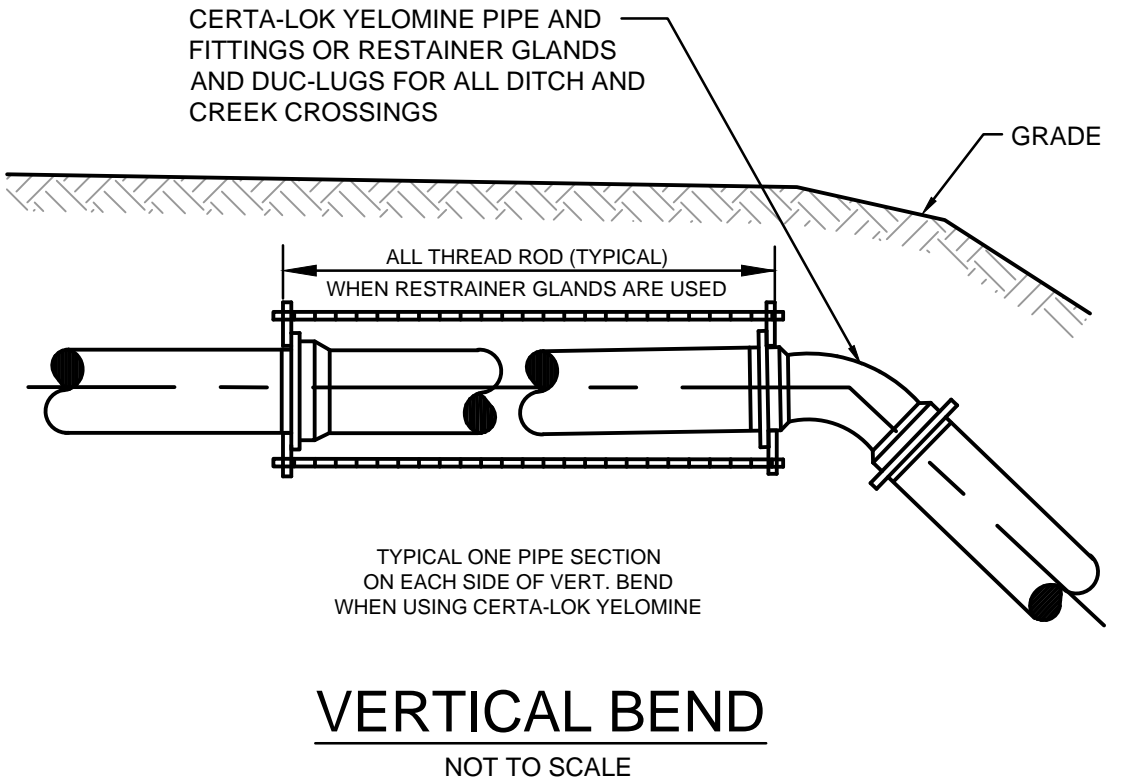
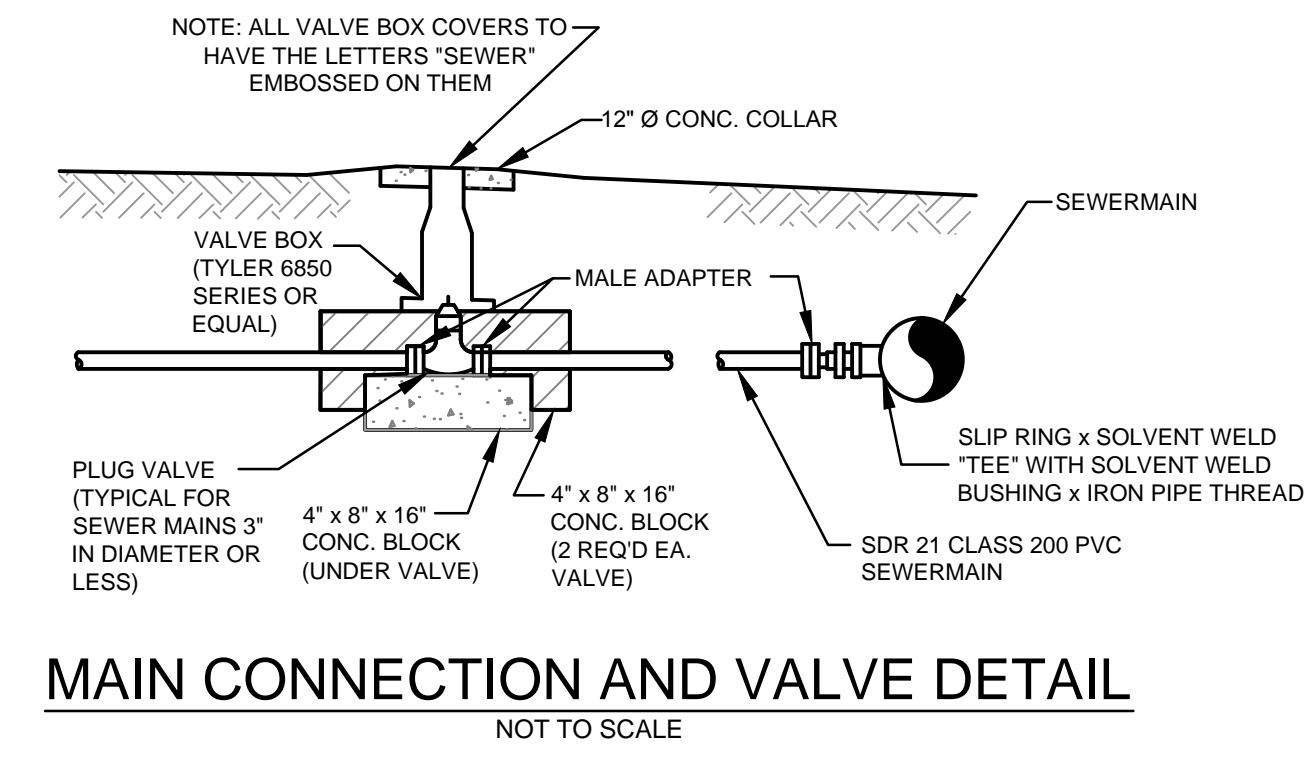
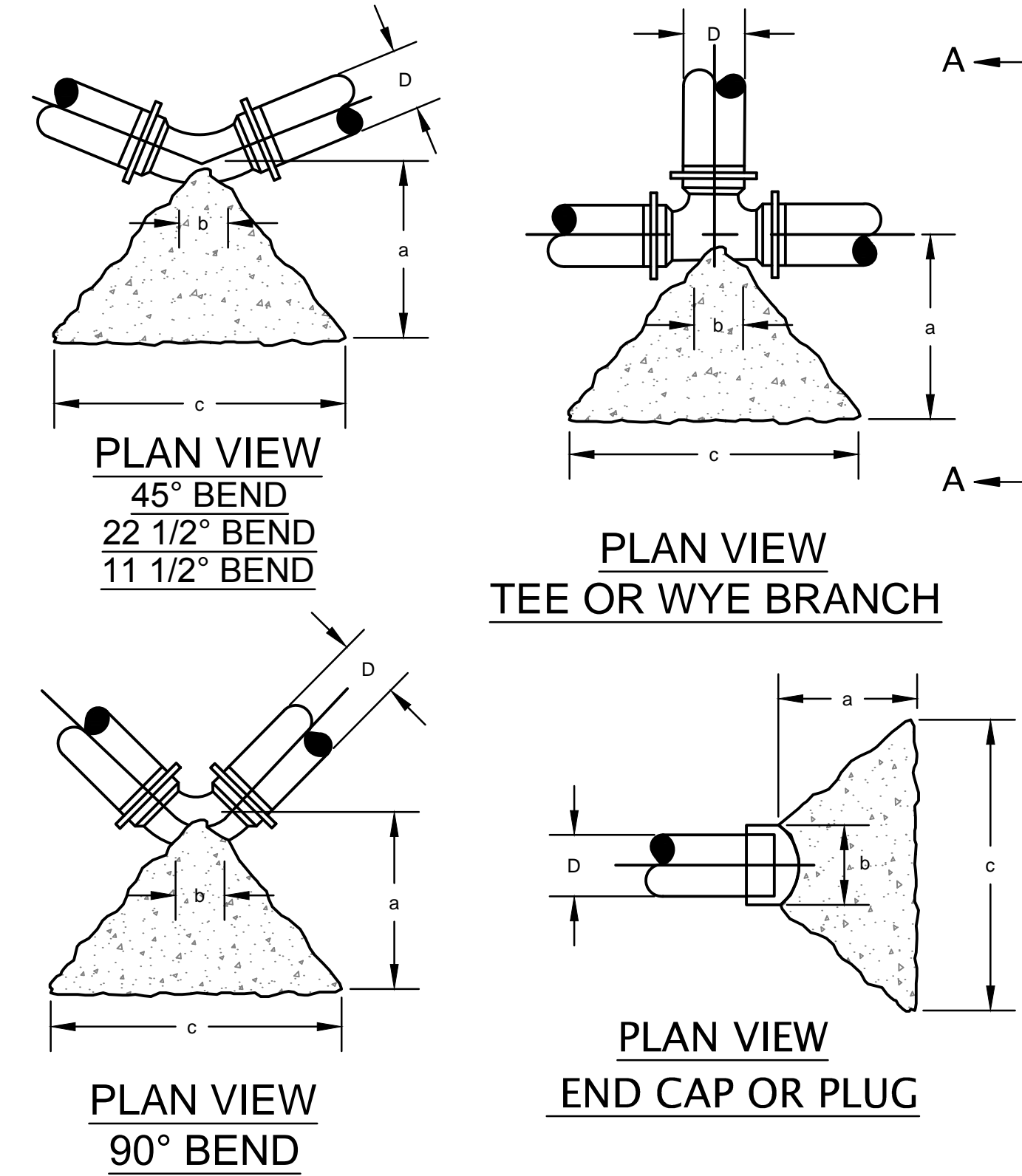


THRUST BLOCK DIMENSIONS (INCHES)

PIPE SIZE	TEE-WYE END CAP	22 1/2° BEND	45° BEND	90° BEND
D	a	b	c	h
1 1/2	6	1 1/2	4	4
2	8	2	9	3
2 1/2	10	3	14	5
3	10	3	20	9
4	14	4	26	13



GENERAL NOTES:

THESE STANDARD DETAILS ARE TO BE CONSIDERED THE GRAPHIC PRESENTATION OF INFORMATION CONTAINED IN THE DISTRICT STANDARD SPECIFICATIONS, ESPECIALLY SECTION 02221-TRENCHING, BACKFILLING AND COMPACTION, AND SECTION 015150-SANITARY SEWERS FORCE MAIN. USE OF THIS DRAWING WITHOUT THE REFERENCED SPECIFICATIONS MAY CAUSE THE CONTRACTOR DELAY AND ADDITIONAL EXPENSE.

THE ENGINEER SHALL PROVIDE THE DISTRICT "AS CONSTRUCTED DRAWINGS" AFTER THE COMPLETION OF THE PROJECT, INCLUDING ALL SERVICE CONNECTION LOCATIONS.

TESTING NOTES:

ALL TESTING MUST BE PERFORMED IN THE PRESENCE OF AN AUTHORIZED REPRESENTATIVE OF THE DISTRICT.

THE ENTIRE LENGTH OF THE INSTALLATION SHALL BE PRESSURE TESTED. TEST THE INSTALLATION FOR LEAKAGE AS SPECIFIED IN ANSIAWWA C600 AND AS AMENDED BY THE FOLLOWING.

MINIMUM TEST PRESSURE SHALL BE 220% OF THE SHUT-OFF HEAD PRESSURE OF THE GRINDER PUMP OR 100 PSI.

THE TEST SECTION SHALL BE SLOWLY FILLED WITH WATER, PRESSURIZED TO THE TEST PRESSURE AND HELD FOR ONE (1) HOUR.

ALLOWABLE LEAKAGE IN GALLONS DURING THE ONE HOUR TEST IS BASED UPON THE PRODUCT OF THE PRESSURIZED SEWER LENGTH IN FEET MULTIPLIED BY A FACTOR "K" RELATIVE TO THE PIPE SIZE OF THE TEST SECTION.

PIPE SIZE	"K" FACTOR	ALLOWABLE LEAKAGE PER 100 FEET
1 1/4"	0.00013	0.013 GALLONS OR 1.66 OUNCES
1 1/2"	0.00016	0.016 GALLONS OR 2.00 OUNCES
2"	0.00021	0.021 GALLONS OR 2.66 OUNCES
2 1/2"	0.00026	0.026 GALLONS OR 3.33 OUNCES

RESIDENTIAL GRINDER PUMP STANDARDS

NORTHEAST PUBLIC SEWER DISTRICT

JEFFERSON COUNTY MISSOURI

1041 GRAVOIS ROAD
 FENTON, MO 63026
 (636) 343-5090
 Fax (636) 343-7904
 Email: Eng@NortheastSewer.org



APPROVED:

DATE: 08/23/2011
 DESIGNED BY: TBS
 DRAWN BY: TBS
 CHECKED BY: PJB